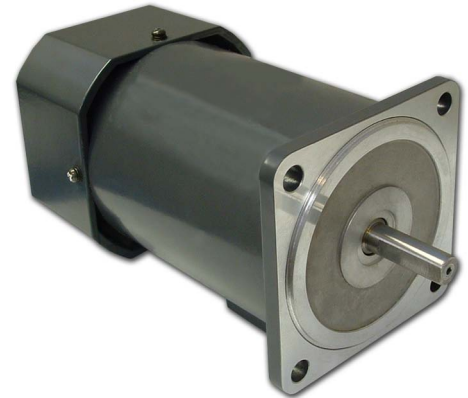


ACW140-100-192 - AC Motor



FEATURES

- **Single Phase AC Motor**
- **Torque Up to 122.21 oz-in**
- **100mm Motor Diameter**
- **140 Watts of Power**
- **Can be Customized for**
 - **Winding Current**
 - **Shaft Options**
 - **Cables and Connectors**



DESCRIPTION

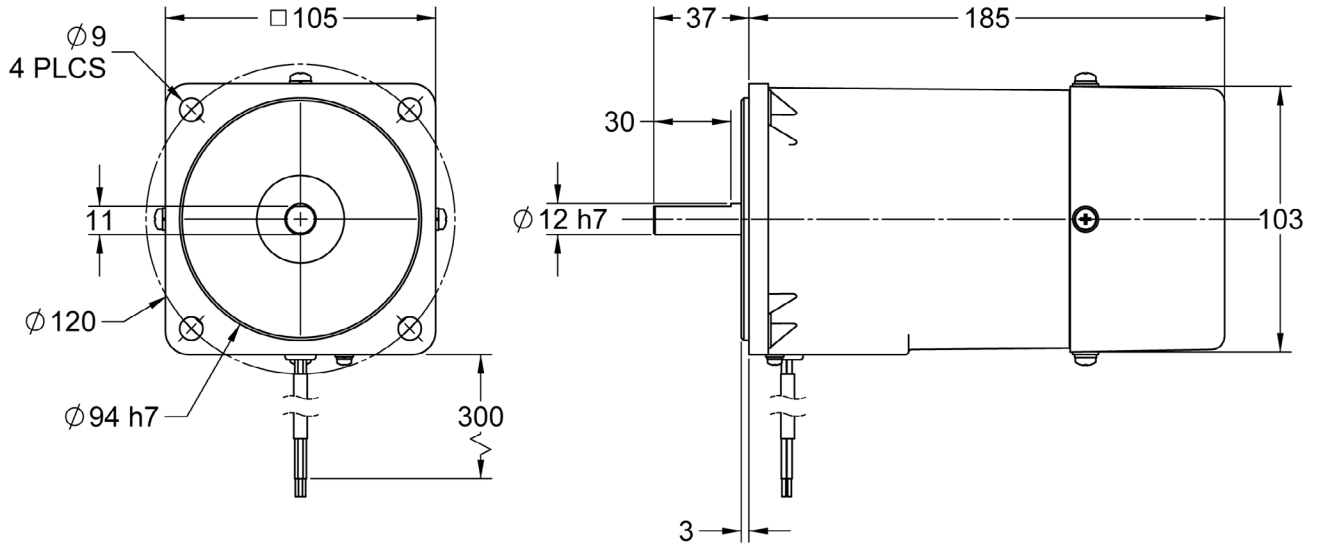
Anaheim Automation's single phase AC motors come in a variety of starting torques, rated torques and current. The ACW140-100-192 AC motor has a torque of 107.63 oz-in. They run at up to 1550 RPM with single phase 110VAC, 60Hz. The ACW140-100-192 offers torque ranges up to 122.21 oz-in. Other models are also available with gear ratios to provide even higher torques. Custom options for the Single Phase AC motor line include optimizing the maximum speed, torque, current, voltage, cabling wiring, connectors, and shaft modifications.

SPECIFICATIONS

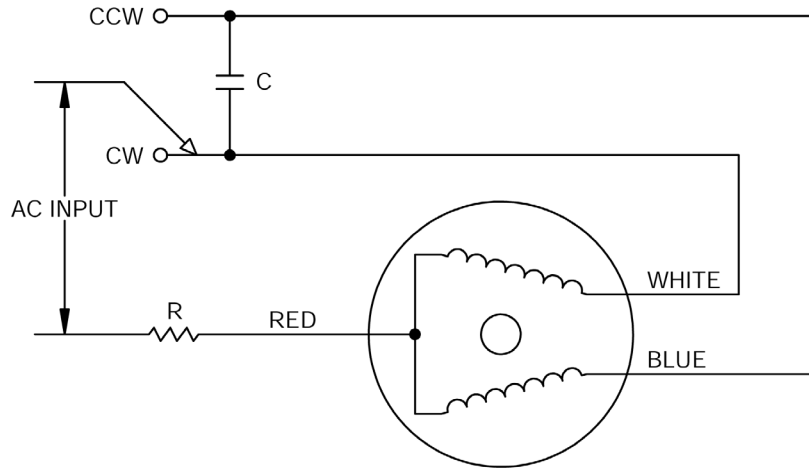
Model #	Input Voltage (VAC)	Power (W)	Current (A)	Motor Speed (RPM)	Start Torque (oz-in)	Rated Torque (oz-in)	Motor Diameter (mm)	Motor Length (mm)	Weight (lbs)
ACW140-100-192-110	110	140	2.30	1550	107.63	122.21	100	185	10.89

L010508

DIMENSIONS



WIRING DIAGRAM



SPECIFICATIONS

Capacitor: uF/VAC	30 / 250	Phase:	Single-phase
Frequency:	60Hz	AC Motor Type:	Reversible
Humidity:	90%	Operating Temperature:	10° F to 131°F